

TRG5

MAIN FEATURES

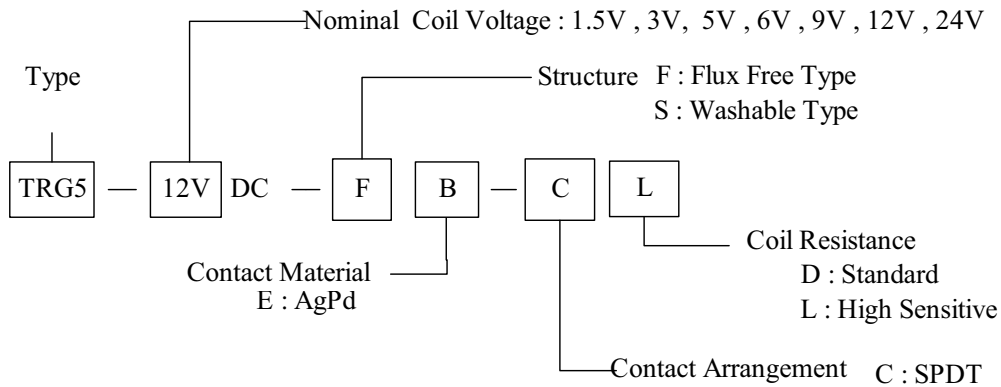
- High Sensitivity : 150 mw.
- 1 Pole Configuration.
- Small Size At 12.5Lx 7.5Wx 10H mm.
- Sealed Type Available.



APPLICATIONS

- Telecommunication equipment, Domestic appliance, Office Machine, audio equipment.

ORDERING INFORMATION

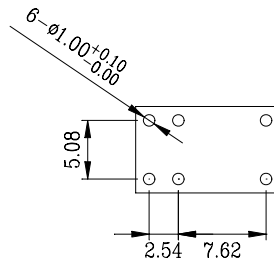
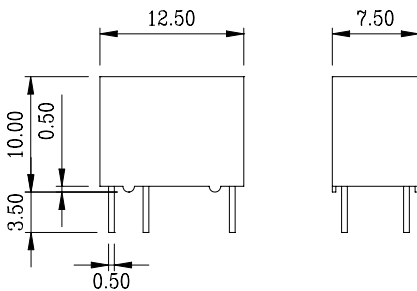


DIMENSION(unit:mm)

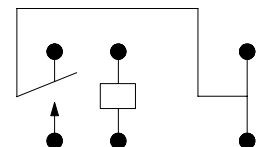
DRILLING(unit:mm)

WIRING DIAGRAM

Outline Dimension



Wiring Diagram (bottom view)



COIL DATA CHART (AT20°C)

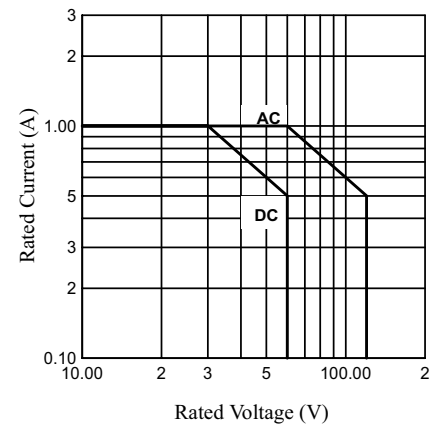
Coil Sensitivity	Coil Voltage Code	Nominal Voltage (VDC)	Nominal Current (mA)	Coil Resistance (Ω) \pm 10%	Power Consumption (W)	Pull-In Voltage (VDC)	Drop-Out Voltage (VDC)	Max-Allowable Voltage (VDC)
TRG5-L (High sensitivity)	1.5	1.5	100	15	abt. 0.15W	80% Max.	10% Min.	110%
	003	003	50.0	60				
	005	005	29.9	167				
	006	006	25.0	240				
	009	009	16.7	540				
	012	012	12.5	960				
	024	024	6.25	3840 \pm 15%				
TRG5-D (Standard)	1.5	1.5	132.7	11.3	abt. 0.2 W	80% Max.	10% Min.	110%
	003	003	66.7	45				
	005	005	40.0	125				
	006	006	33.3	180				
	009	009	22.2	405				
	012	012	16.7	720				
	024	024	8.3	2880 \pm 15%				

CONTACT RATING

Item	Type	TRG5
Contact Capacity		0.5A 125VAC 1A 24VDC
Resistive Load ($\cos \phi = 1$)		
Min Permissible Load		1mA at 5VDC
Rated Carrying Current		1A
Max. Allowable Voltage		125VAC 60VDC
Max. Allowable Current		1A
Max. Allowable Power Force		62.5VA 30W
Contact Material		AgPd (Au Clad)

REFERENCE DATA

Switching Capacity



PERFORMANCE (at initial value)

Item	Type	TRG5
Contact Resistance		100m Ω Max.
Operation Time		5msec Max.
Release Time		5msec Max.
Dielectric Strength		
Between coil & contact		1000VAC 50/60HZ (1 minute)
Between contacts		400VAC 50/60HZ (1 minute)
Insulation Resistance		1000M Ω Min. (500VDC)
Operating Ambient Temperature		-30° C to +70° C (No water condensation and no water drop)
Operating Humidity		35 to 85% RH
Vibration		
Endurance		10 to 55HZ Single Amplitude 3.3mm
Error Operation		10 to 55HZ Single Amplitude 3.3mm
Shock Resistance		100m/s ²
Life Expectancy		
Mechanically		5 \times 10 ⁶ OPS (36000 OPS/Hour)
Electrically		1 \times 10 ⁵ OPS (1800 OPS/Hour)
Weight		abt. 2.2grs.

Electrical Life

