

PCB 继电器	TRG1
---------	------

- 5A switching capability
- SPST-NO configuration
- Standard PC layout
- Sealed type available
- Surge resistance of 5000V
- Conform to RoHS,ELV directive

07001021631

E173485

R50108695

外形尺寸 18.2×10.2×15.2

**ORDERING CODE 订购代码**

TRG1	D	—	12VDC	—	S	—	H
1	2	3	4	5			
1. Relay Model 继电器型号	4. 封装形式: Sealed 密封						
2. Coil Power 线圈功率 D=0.45W, L=0.2W	5. 触点转换形式 H: Form A						
3. Coil Nominal Voltage 线圈额定电压 3,5,6,9,12,18,24VDC							

**COIL DATA 线圈参数 (at 20°C)**

Nominal Voltage 额定电压(VDC)	3	5	6	9	12	18	24	0.2W
Coil Resistance 线圈阻值(Ω ±10%)	45	125	180	405	720	1620	2880	
Rated Current 额定电流(mA)	66.67	40	33.33	22.22	16.67	11.11	8.33	
Max Operate Voltage 最大吸合电压(VDC)	2.25	3.75	4.5	6.75	9	13.5	18	
Min Release Voltage 最小释放电压(VDC)	0.15	0.25	0.3	0.45	0.6	0.9	1.2	0.45W
Coil Resistance 线圈阻值(Ω ±10%)	20	56	80	180	320	720	1280	
Rated Current 额定电流(mA)	150	89.28	75	50	37.5	25	18.75	
Max Operate Voltage 最大吸合电压(VDC)	2.25	3.75	4.5	6.75	9	13.5	18	
Min Release Voltage 最小释放电压(VDC)	0.15	0.25	0.3	0.45	0.6	0.9	1.2	
Max Applicable Voltage 最大过载电压	70°C时额定电压的 130%, 23°C时额定电压的 170%							

**CONTACT DATA 触点参数**

Contact Form 触点形式	1H
Contact Material 触点材料	Silver Alloy
Load 负载	Resistive load(COS Φ 1)
Contact Ratings 触点负载	1H-D: 10A 125VAC 5A 250VAC/30VDC 1H-L: 3A 250VAC/30VDC
Minimum load 最小负载	100mA 5VDC
Max Switching Voltage 最大转换电压	277VAC/30VDC
Max Switching Current 最大转换电流	1H-D:5A                      1H-L:3A
Max Switching Power 最大转换功率	1H-D:1200VA/150W      1H-L: 600VA/90W
Contact Resistance 接触电阻	100m Ω Max                      at 6VDC 1A
Life Expectancy 寿命	Electrical 电气寿命: 100,000 Operations(at30Operations/minute)
	Mechanical 机械寿命: 10,000,000 Operations(at300Operations/minute)

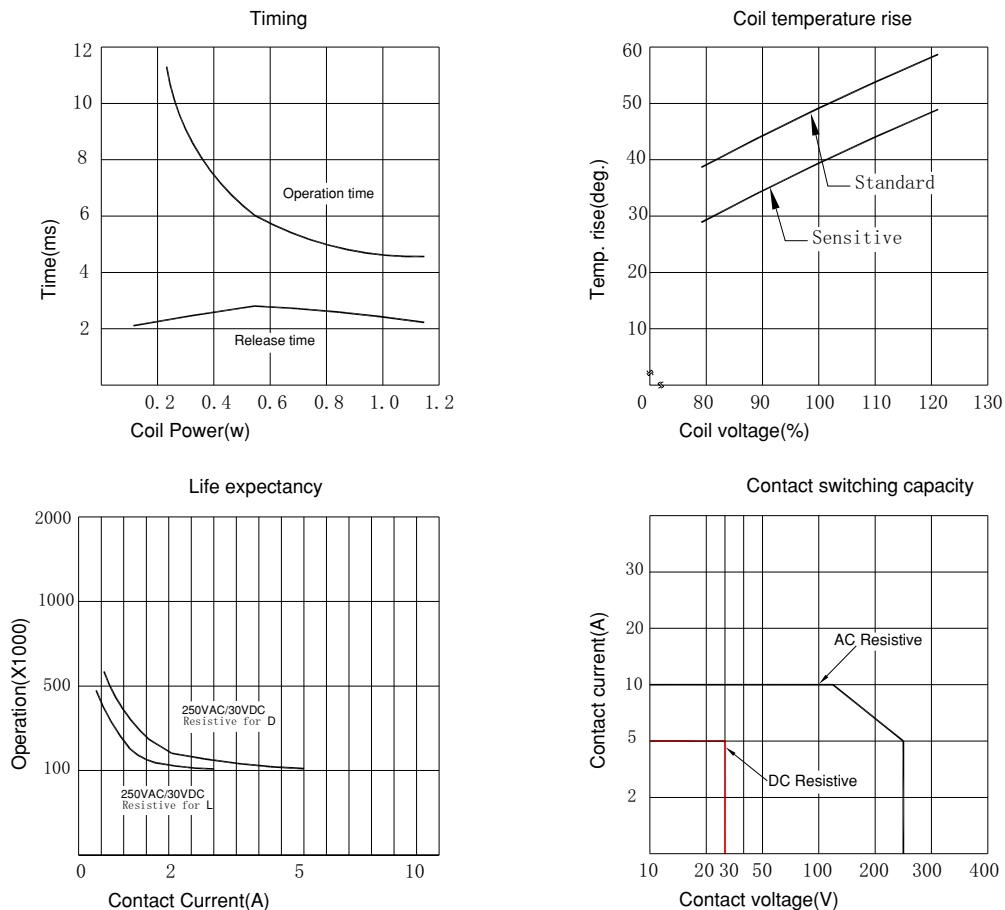
## ■ CHARACTERISTICS DATA 性能参数

Insulation Resistance 绝缘阻值	100MΩ Min at 500VDC
Dielectric Strength Between Open Contacts 触点间耐压	1000VAC(for one minute)
Between Contacts and coil 触点与线圈间耐压	4000VAC(for one minute)
Operate Time 吸合时间	1H-D:10ms      1H-L: 15ms
Release Time 释放时间	4ms
Temperature Range 环境温度	-40°C to +85°C
Shock Resistance 冲击	Operating Extremes 动作极限: 10G
	Damage Limits 破坏极限: 100G
Vibration Resistance 振动	10-55Hz, 1.5mm 双振幅
Max. switching frequency 最大转换频率	Mechanical: 18,000 operations/hr
	Electrical: 1,800 operations/hr
Humidity 湿度	40-85%
Weight 重量	Approx 6g
Safety Standard 安全标准	UL cUL TÜV CQC

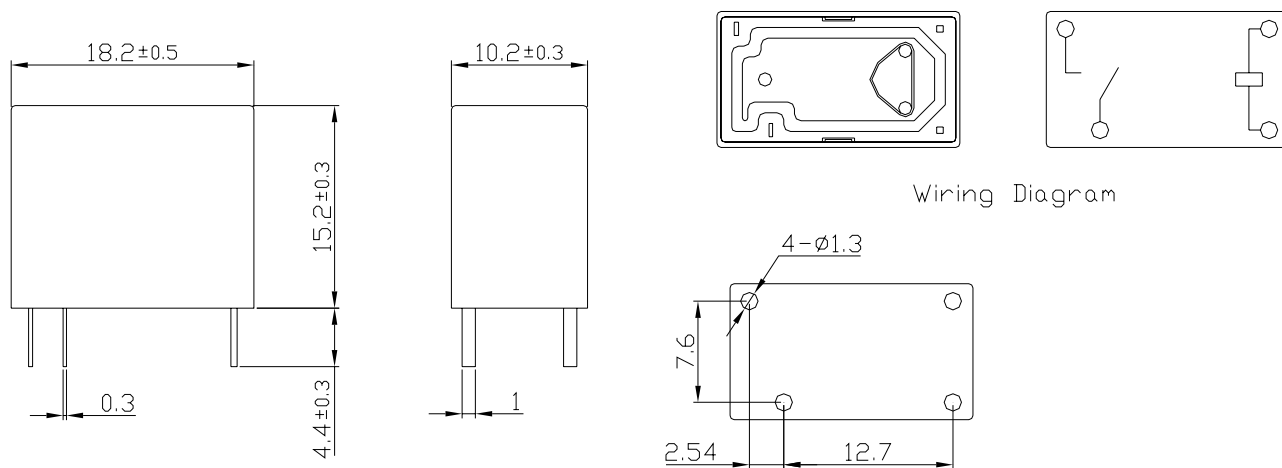
## ■ APPROVED STANDARDS 安全标准

Model(型号)	Coiling rating (线圈电压)	Safety Standard (安全标准)	Contact rating (触点负载)	
TRG1	3 to 24VDC	UL	10A 120VAC    5A 240VAC 3A 240VAC    3A 30VDC	
		CQC	5A 240VAC	
		TÜV	1H-D	5A 250VAC 10A 125VAC 5A 30VDC
			1H-L	3A 250VAC 3A 30VDC

## ■ ENGINEERING DATA 设计参数



## OVERALL AND MOUNTING DIMENSIONS 安装图



### 声明:

本产品规格书仅供客户使用时参考，如有更改，恕不另行通知。