



GE SERIES

# SNAP-IN MOUNTING HIGH PERFORMANCE IEC CONNECTOR FILTERS



## INTRODUCTIONS

1. Snap-in mounting type to reduce labor cost.  
Compact and reliable at low cost.
2. Bleeder resistor can be added with suffix "-R" on part numbers, except G3H, G3V, W3V, G3J, W3J, types.
3. Optional side snap-in mounting clip type with suffix (H) on part numbers.
4. All part numbers are UL recognized, CSA certified and VDE approved.
5. With optional Y-Cap from 100pF to 3300pF.
6. Safety under apply for 03/06/10GENG3U(H) series.

## COMPONENTS

PART NO.	Cx (uF)	L (mH)	Cy (pF)	R (Ω)
01GENG3E/W3E/-R	0.1	6.5	2200	1M
03GENG3E/W3E/G3U(H)/-R		2.5		
• 03GENW3ES/-R		2.5		
• 03GENG3Q/W3Q/-R		4		
06GENG3E/W3E/G3U(H)/-R		0.8		
••06GENG3Q/W3Q/-R		1.5		
06GENW3ES/-R		0.8		
10GENG3E/W3E/G3U(H)/-R		0.2		
•••10GENG3C/W3C/-R		0.4		
* 10GENG3Q/W3Q/-R		0.3		
10GENW3ES/-R		0.2		
**15GENG3E/W3E/-R		0.2		
***20GENG3E/W3E/-R		0.3		

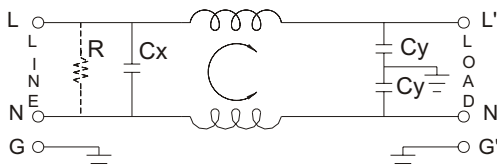
- UL, CSA approved to 4A 115/250V
- UL, CSA approved to 8A 115/250V
- VDE approved to 8A/250V

- \* UL, CSA approved to 13A 115/250V
- \*\* VDE approved to 10A/250V
- \*\*\* VDE approved to 16A/250V

## MINIMUM INSERTION LOSS IN dB

CURRENT RATING	COMMON MODE (L-G) IN 50 OHM SYSTEM					
	FREQUENCY-MHz					
	.15	.50	1.0	5.0	10	30
1A	28	35	38	38	40	40
3A	20	25	30	38	40	40
6A	12	18	24	35	40	40
6A (G3Q)	15	20	24	35	40	55
10A	4	10	13	28	35	40
10A (G3C)	10	15	15	25	30	35
10A (G3Q)	10	12	15	30	32	45
15A	4	10	13	28	35	40
20A	8	10	15	25	30	35

## ELECTRICAL SCHEMATIC



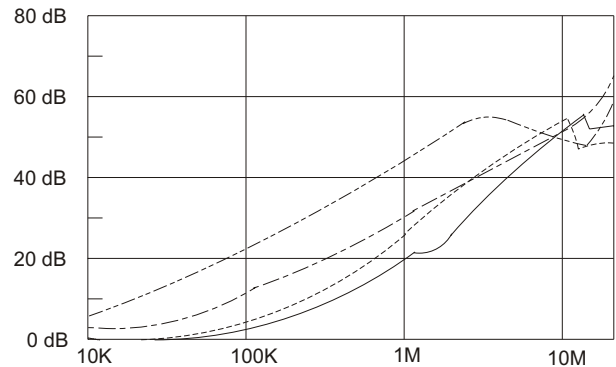
R: 1MΩ/-R ONLY

## SPECIFICATIONS

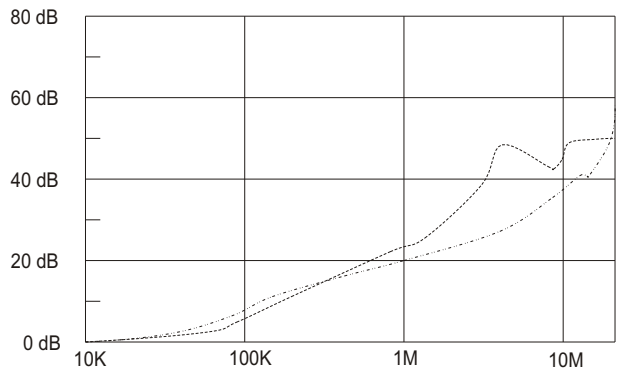
1. Maximum leakage current each  
line-to-ground @ 115VAC 60Hz: 0.2mA  
@ 250VAC 50Hz: 0.4mA
2. Hipot rating (one minute)  
line-to-ground: 2250VDC  
line-to-line: 1450VDC
3. Operating frequency: 50/60Hz
4. Rated voltage: 115/250VAC

## INSERTION LOSS (TYPICAL)

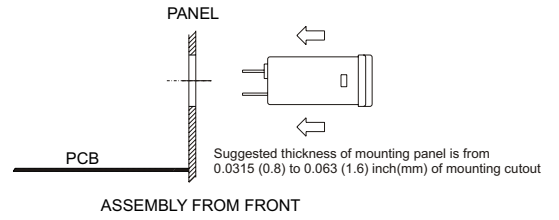
03GENG3E ----- COMMON MODE ----- DIFF. MODE  
06GENG3E ----- COMMON MODE ----- DIFF. MODE



20GENG3E ----- COMMON MODE ----- DIFF. MODE



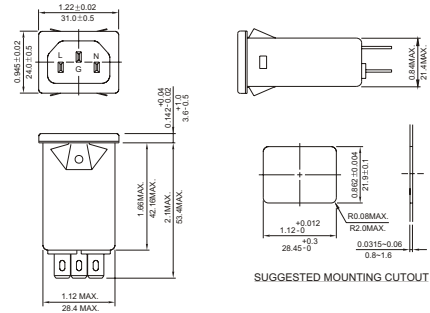
**大豪电子**  
 电话: 0755-83233025  
<http://www.szdahao.com>  
<http://www.very-tec.com>



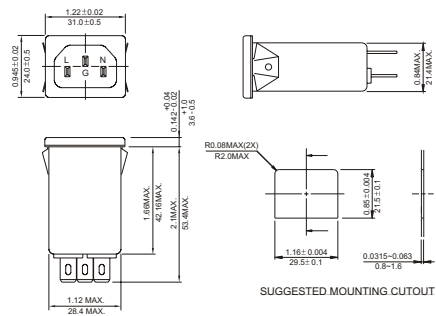
## MECHANICAL CONSTRUCTION



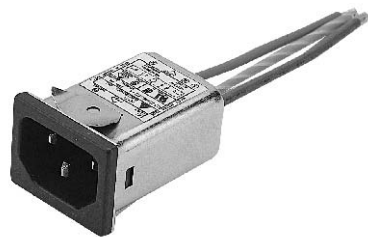
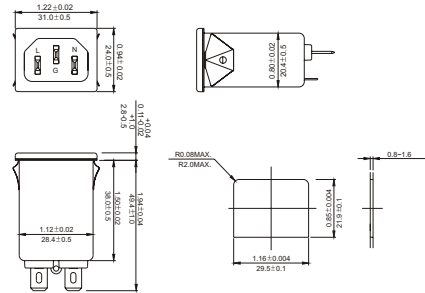
NG3E, NG3C, NG3Q (Optional wire type)



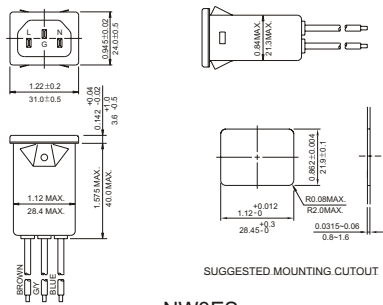
NG3E(H), NG3C(H), NG3Q(H) (Optional wire type)



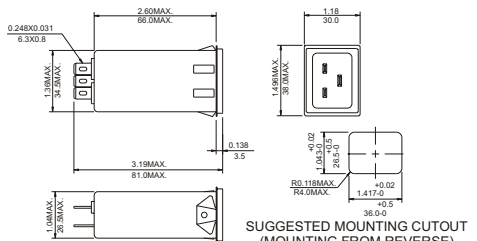
NG3U(H) (With Compact Size)



NW3ES



20GENG3E (Optional wire type)



UNIT:  $\frac{\text{INCH}}{\text{mm}}$