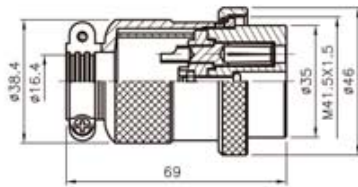




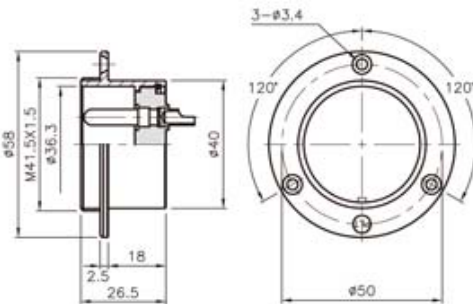
**PLT-40 Series**  
( INPUT TYPE )



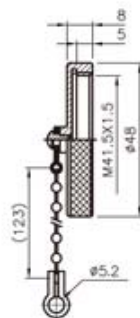
**PLT-40-P**



**大豪电子**  
电话:0775-83233025  
<http://www.szdahao.com>  
<http://www.very-tec.com>



**PLT-40-R**



**PLT-40-RCa**

◆ No. of contacts	4	7	8	37			
Contacts Configuration	 TÜV		 TÜV	 TÜV			
Rated current / voltage	30A 250V	20A 250V	20A 250V	5A 300V			
Operation limit voltage (AC.V.rms)	500	300	400	300			
Withstanding voltage (AC.V.rms) 1 minute	2500	2000	2000	1000			
Insulation resistance (MΩ MIN.) at DC 500V	2000	1000	2000	1800			
Contact resistance (MΩ MAX.) at DC 1A	3	3	3	3			
Solder inter diameter	4	1.5	4.8	1.9			